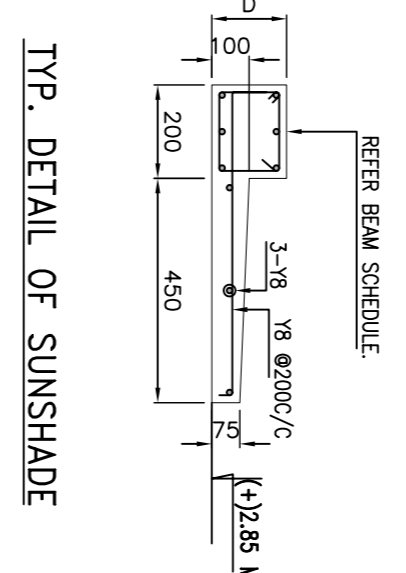
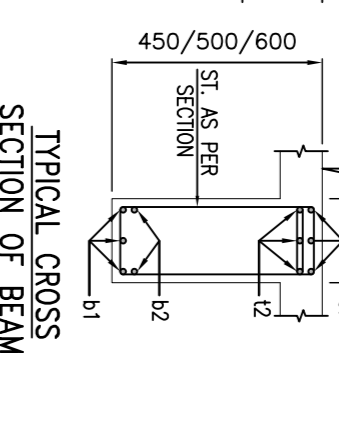
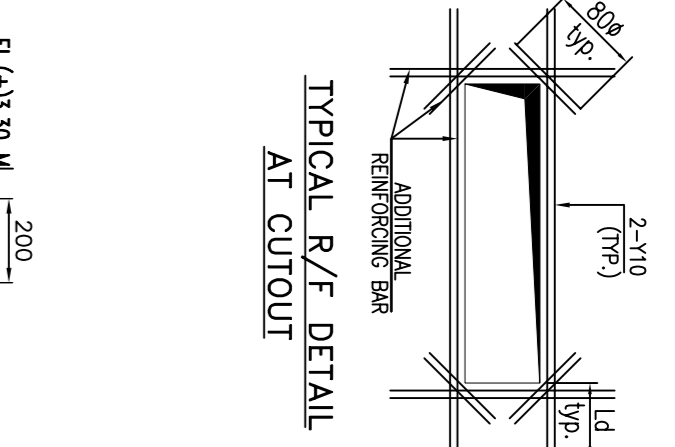
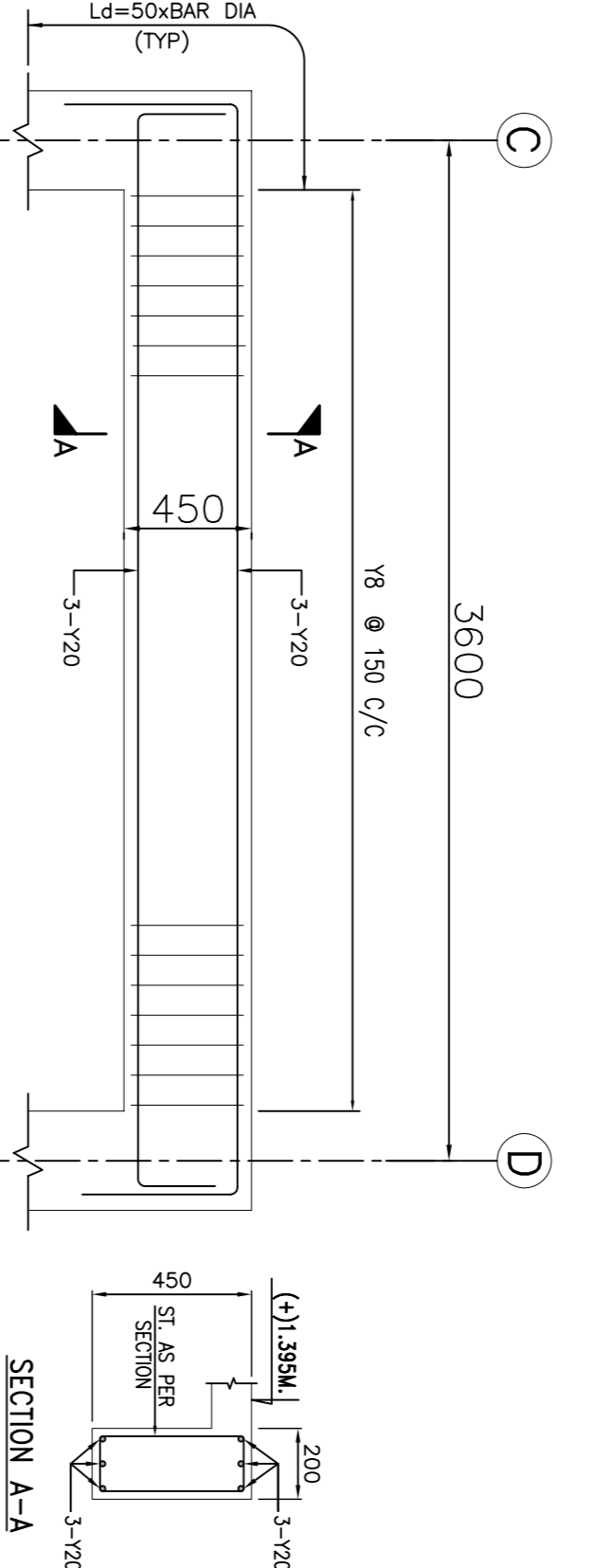
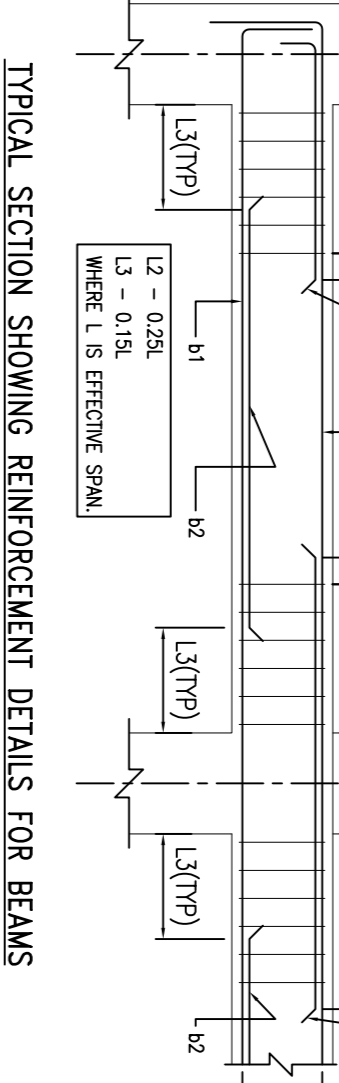
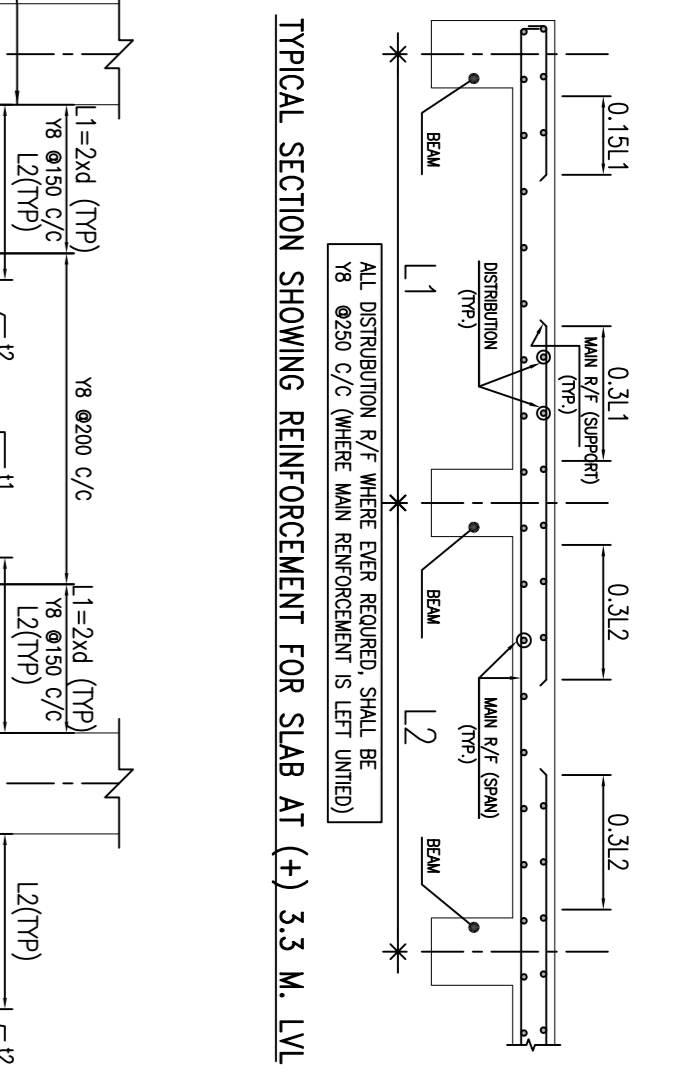


**BEAM & SLAB ARRANGEMENT AT FIRST FLOOR**  
(175 mm thick slab)

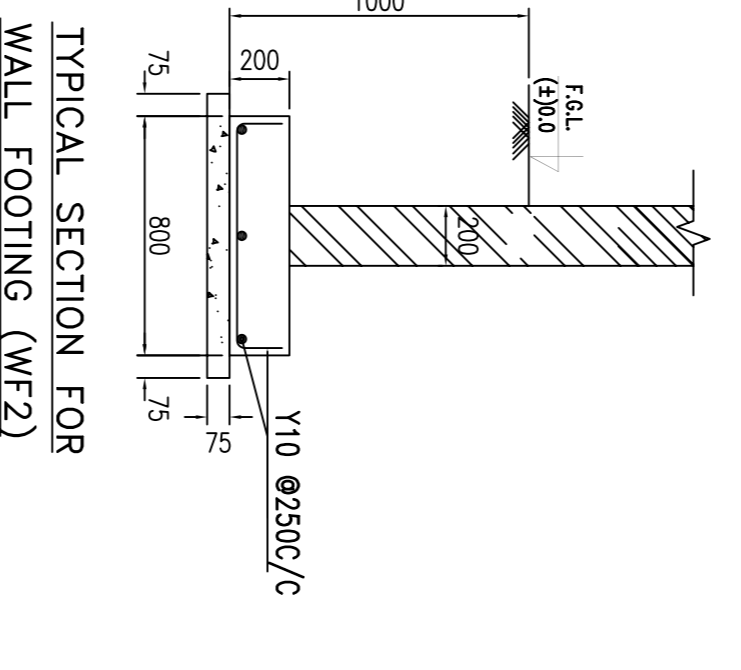
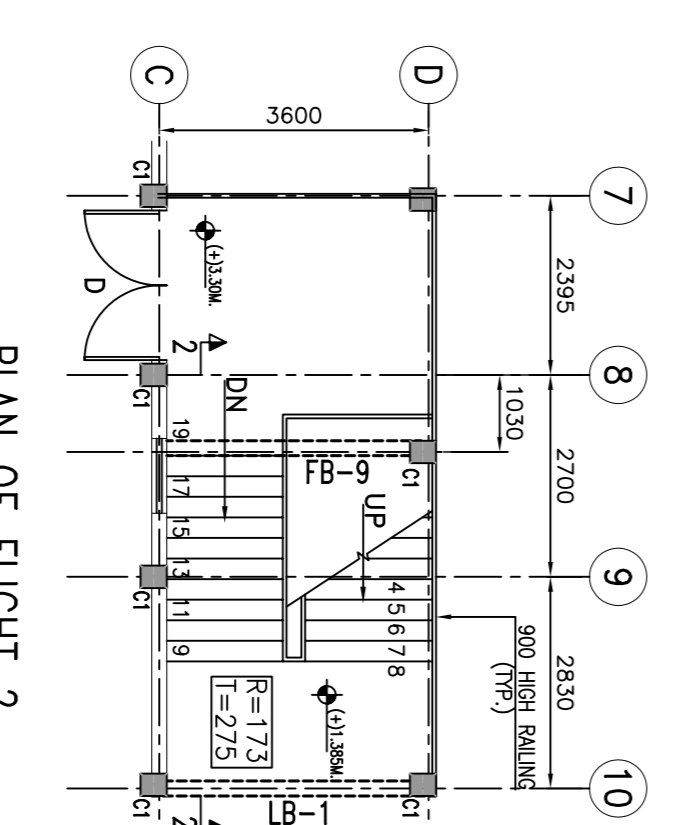
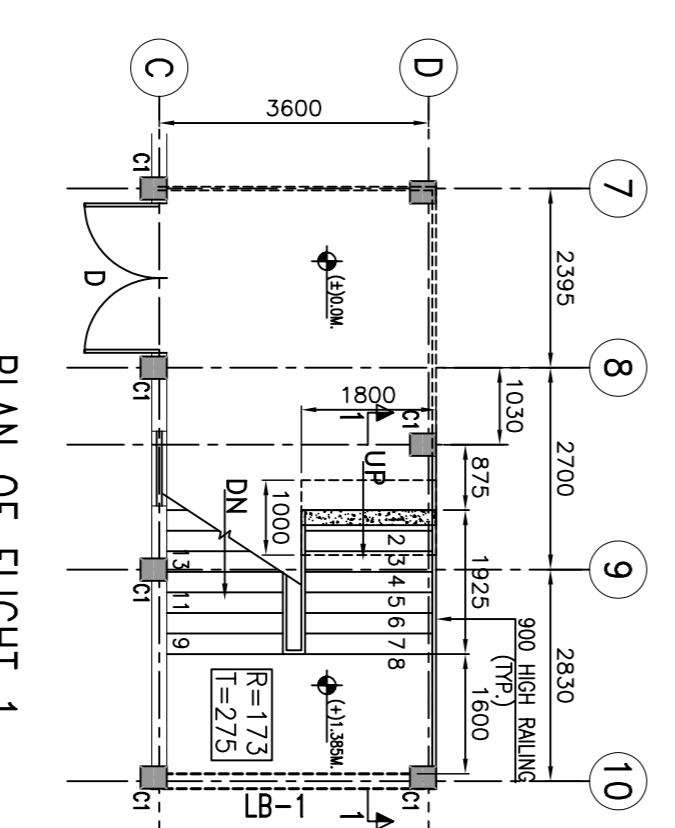
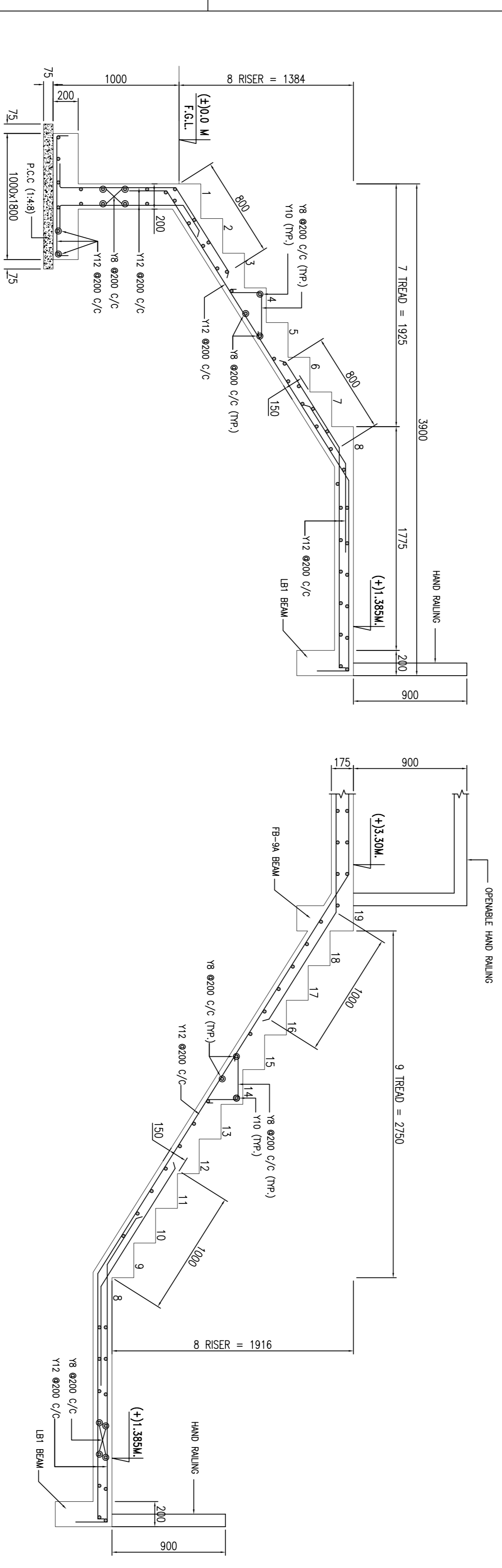


**FIRST FLOOR BEAM SCHEDULE & R/F.**

BEAM	SIZE	BOTTOM REINFORCEMENT	TOP REINFORCEMENT
FB-1	200x450	2-120 (A)	2-120 (A)
FB-2	200x450	2-116 (A)	2-116 (A)
FB-3	200x450	3-120 (A)	3-120 (A)
FB-4	200x450	2-116 (A)	2-116 (A)
FB-5	200x450	2-116 (A)	2-116 (A)
FB-6	200x450	2-120 (A)	2-120 (A)
FB-7	200x500	3-125 (A)	3-125 (A)
FB-8	200x500	2-120 (A)	2-120 (A)
FB-9A	200x450	2-120 (A)	2-120 (A)
FB-10	200x500	2-120 (A)	2-120 (A)

**SCHEDULE OF SLAB R/F.**

R/F. MKD	REINFORCEMENT	REMARK
A	Y10 @150 C/C	BOTTOM R/F.
B	Y10 @120 C/C	TOP R/F.
C	Y10 @90 C/C	TOP R/F.



1. SYS-7602PN027 - CONTROL ROOM BUILDING ARCHITECTURAL PLAN AND SECTION.
2. SYS-7602PN027 - CONTROL ROOM BUILDING PANEL ARRANGEMENT LAYOUT.
- M14-F-036

1. ALL DIMENSIONS ARE IN MM COORDINATE AND LEVEL IN METER UNLESS OTHERWISE SPECIFIED.
2. FGL CORRESPONDS TO (+) 0.00 METER.
3. RCC GRADE SHALL BE M20 (i.e. MINIMUM CHARACTERISTIC STRENGTH AFTER 28 DAYS SHALL BE 20 N/MM<sup>2</sup> & REIN. STEEL OF GRADE FY 410.
4. LAP LENGTH SHALL BE 47 TIMES THE DIAMETER OF BAR.
5. CLEAR COVER TO MAIN REINFORCEMENT SHALL BE AS BELOW:

- (a) FOR FOUNDATION = 50mm.
- (b) FOR BEAMS = 25mm.
- (c) FOR SLAB = 20mm.

REV.	DESCRIPTION
0	FIRST ISSUE

Name	Date	Name	Date	Name	Date
DRG	21.05.08	CHK	22.05.08	APP	23.05.08

Name	Date	Name	Date	Name	Date
DRG	21.05.08	CHK	22.05.08	APP	23.05.08

**KENYA POWER AND LIGHTING CO. LTD.**  
NORCONSULT

**AREVA T&D INDIA LTD.**  
AREVA ELECTRONIC MARKET  
INDIA - 201301 (INDIA)

**AREVA**

**DRAWING NO.** SYS-7602PN027-M14-C-013A  
**SCALE** 1:100